

# Hermès

Stout  
patient lift



DUPONT



Optional Class 3  
medical  
weighing system

CE

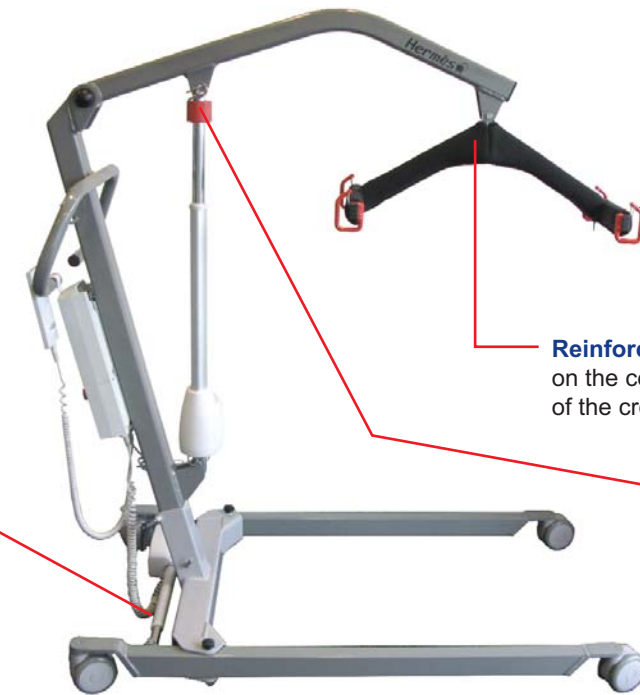
[www.dupont-medical.com](http://www.dupont-medical.com)

**SAMERY**<sup>®</sup>  
A DUPONT MEDICAL trademark

## Reinforced structure



The serial base **electrically moves apart** to effortlessly get closer



Double-roller, Ø 100 mm wheels, equipped with solid tyres for **good mobility**.



**Cross-bar** equipped with **4 secure points**, and covered with **protective foam**

**Reinforcing plates** on the central part of the cross-bar



Manual **emergency lowering**

## STRAPS



**Hermès bath netted strap**  
XL size - Ref. SR 2350800  
XXL size - Ref. SR 2350900



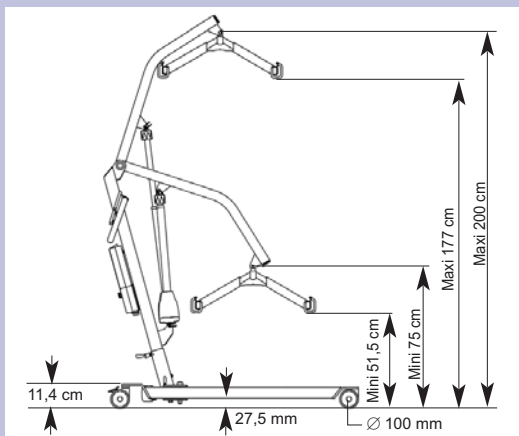
**Hermès toilet strap**  
One size - Ref. SR 2351000



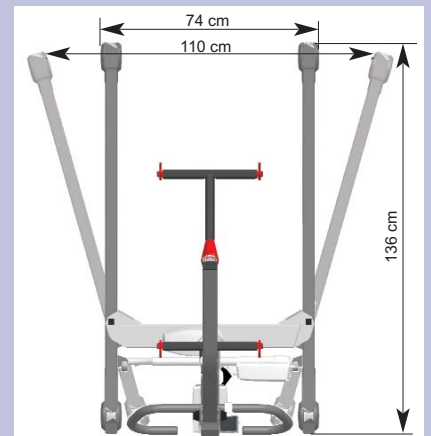
**Hermès comfort strap with headrest**  
XL size - Ref. SR 2351100  
XXL size - Ref. SR 2351200

## SPECIFICATIONS

The photographs are not contractual, and some components may change for manufacturing or improving purposes.



Maximum load: 250 kg  
Lift cylinder capacity: 10,000 N  
Total weight: 55 kg  
(the base of which weighs: 24 kg  
mast + boom + cross-bar: 31 kg)



## DUPONT MEDICAL

BP 19 - ZAC de Ban la Dame - 92 rue du train à fil  
54390 FROUARD (France)  
Tel. +33 (0)3 83 495 495 - Fax. +33 (0)3 83 495 496  
<http://www.dupont-medical.com>

**SAMERY®**  
A DUPONT MEDICAL trademark