

Optimo Confort



Des produits à vivre

Because you had a dream



OPTIMO Comfort,
the smart wheelchair

MOBILY 
www.dupont-medical.com

Thanks to the unique seat tilt features and the backrest, all adjustable through 2 separate actuators (continuous adjustment), the OPTIMO provides maximum comfort for user and attendant. The adjustments offer excellent ergonomics for both user and attendant, as the seat/legrests tilt features are articulating (backrest joint axle and knee joint axle are in total harmony).

THE SEAT TILT BY DUPONT MEDICAL: FOR PERFECT STABILITY AT ALL TIMES



Seat tilt by cylinder with automatic sliding system towards the front of the frame to always ensure maximum stability.





width, unique in ergonomics and original in design

THE ERGONOMIC SEATING



- 4° seat decline (forward) is a practical feature for user transfer
- Minimum seat height 40.5 cm, 22" rearwheels and 6" front castors
- Special design anatomic seat cushion with removable cover
- "XAMPA" upholstery, stretching material, provide maximum advantages and comfort, no crease, easy to clean/wash, durable and of esthetic design and quality
- Seat adjustability in depth and in width



OPTIMAL FUNCTIONALITIES



Top reclining position for a better comfort



In height adjustable foldable pushhandles



Swingaway and detachable long armrest, adjustable in height, soft padding for comfortable positioning

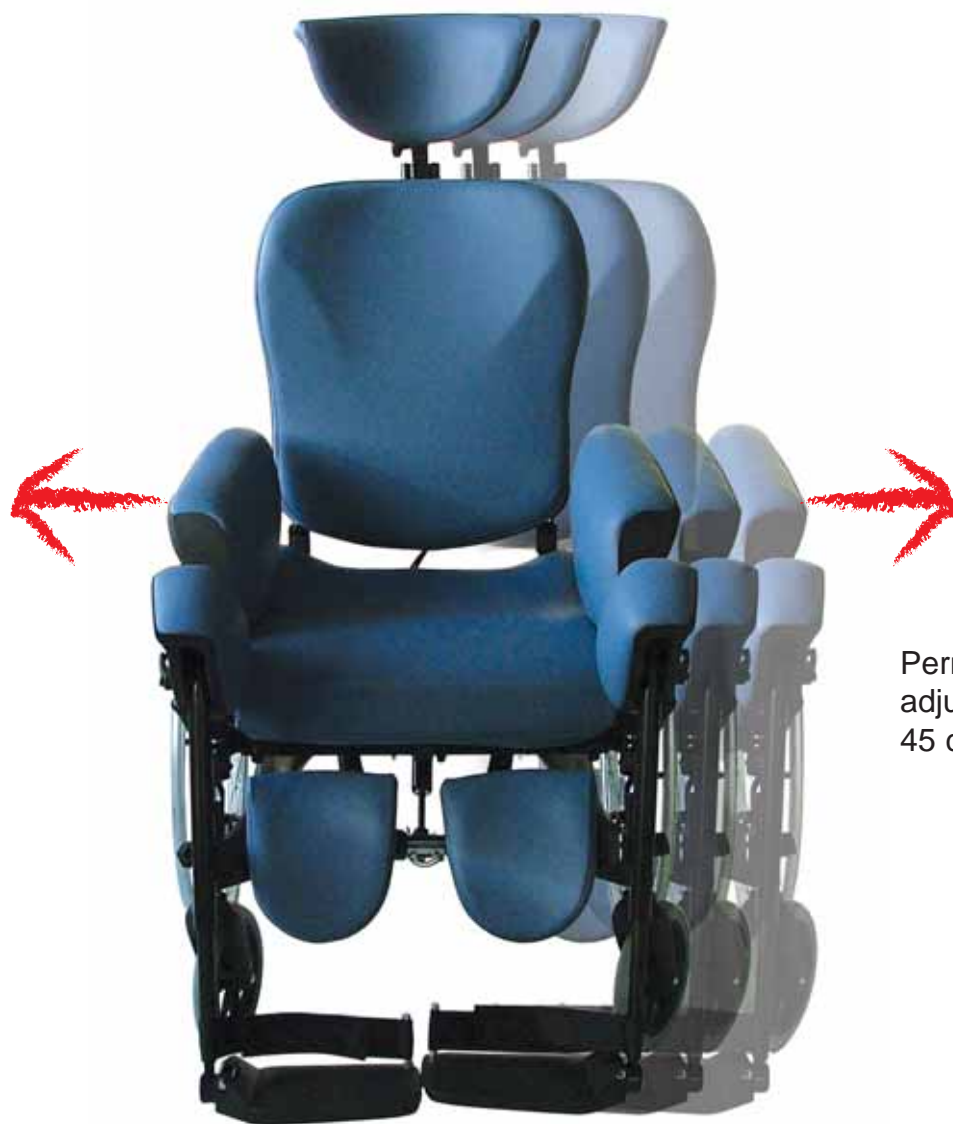


Superior designed aluminium frame base makes the OPTIMO Confort light in weight and rigid



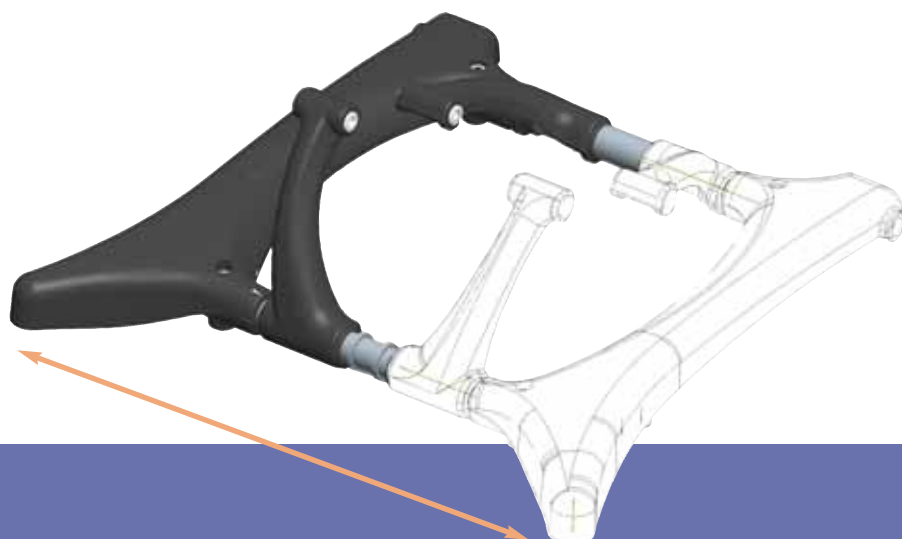
FUNCTIONAL LEGRESTS

- Reclining footplates.
- Comfortable calf-rest, in height and width adjustable.



Permanent seat width adjustments : 39 cm, 42 cm, 45 cm, 48 cm, 51 cm.

Thanks to its innovative frame base design, Optimo Confort is adjustable in width (patent of Dupont Medical).





The OPTIMO CONFORT provides the user with maximum seat positioning and comfort. Self-propelling is light and easy because of the positioning of the handrims.



Easy folding and detaching (no tool required) practical for transportation.



The OPTIMO CONFORT has been designed to facilitate :

Patient transfer (seat tilt -4° and padded top of legrests offer maximum transfer support)

Easy access for attendant and user (legrests and armrests are detachable and swingaway)



OPTIONS



Mag wheels



Dropped wheels version



Trunk support



Legs partition



Anti-tipping bars



Tray

COLORS



Black frame
Azure blue upholstery



Black frame
Camel upholstery

DUPONT MEDICAL continually seeks to improve its products, and therefore reserves the right to change technical or design details at any time without notice.

The OPTIMO CONFORT wheelchair illustrates the technological leadership of DUPONT MEDICAL, combining innovation with its great experience in the comfort wheelchair field.

- **Simple**, the most ingenious solutions are often the simplest
- **Functionality**, compact and light (use of aluminium), the OPTIMO CONFORT can be dismantled and folded very quickly without any tool : the transport is easy.
- **Performances**, the specific location of the rear wheels makes the hand-propelling easier for the user.
- **Security**, perfect stability of the wheelchair whatever the seat tilt
- **Ergonomics**, the OPTIMO CONFORT offers multiple adjustments, respecting the physiological rotating axes of the user.
- **Adaptability**, this comfort wheelchair is adjustable in width and can be equipped with several options.
- **Aesthetics**, a fine design integrating the last innovations in terms of materials and technology.

TECHNICAL FEATURES

Frame positions	seat width	overall width	overall length	armrests height	seat depth	floor to seat plate height	seat tilt	backrest reclining	weight	maximum user's weight
Position A : from the size 39 to 45										
	39	66	with LR	22/27	44/47	43*/45,5	-4/+21°	-2/+31°	32.9 kg	130 kg
42	66	without LR	22/27	44/47	43*/45,5	-4/+21°	-2/+31°			
Position B : size 48	45	66	108	22/27	44/47	43*/45,5	-4/+21°	-2/+31°	32.9 kg	130 kg
	48	69	108	22/27	44/47	43*/45,5	-4/+21°	-2/+31°		
Position C : size 51	48	69	108	22/27	44/47	43*/45,5	-4/+21°	-2/+31°	32.9 kg	130 kg
	51	72	108	22/27	44/47	43*/45,5	-4/+21°	-2/+31°		

All measurements are in cm

LR : leg-rest

*Measurements in dropped version

Distributed by:

DUPONT MEDICAL

BP 19 - Parc d'activités de Nancy / Pompey

54390 FROUARD - France

Tel. +33 (0)3 83 495 495 - Fax. +33 (0)3 83 495 496

<http://www.dupont-medical.com>