

Range of patient lifts



DUPONT

Des produits à vivre



ALTIS +



SAMSOFT +

*A complete set
to cope with
any situation*



Mini SAMSOFT



**Transformation kit
into Mini ALTIS**

For home
and medical institutions

SAMERY



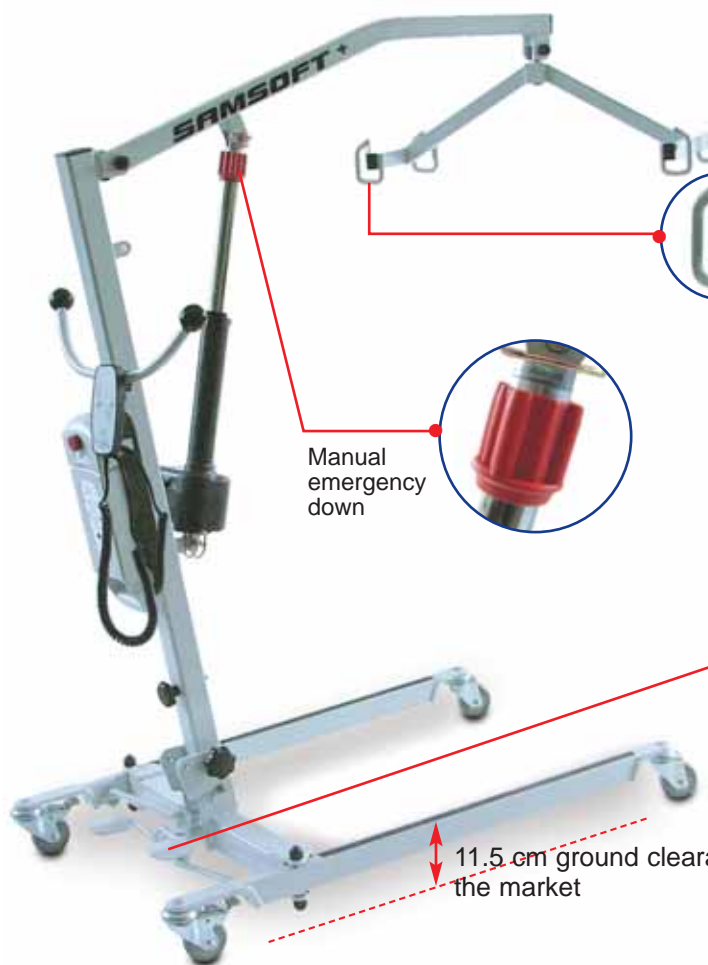
www.dupont-medical.com

SAMSOFT +

The ideal partner for home care



3-YEAR WARRANTY
Except for battery pack
and remote control

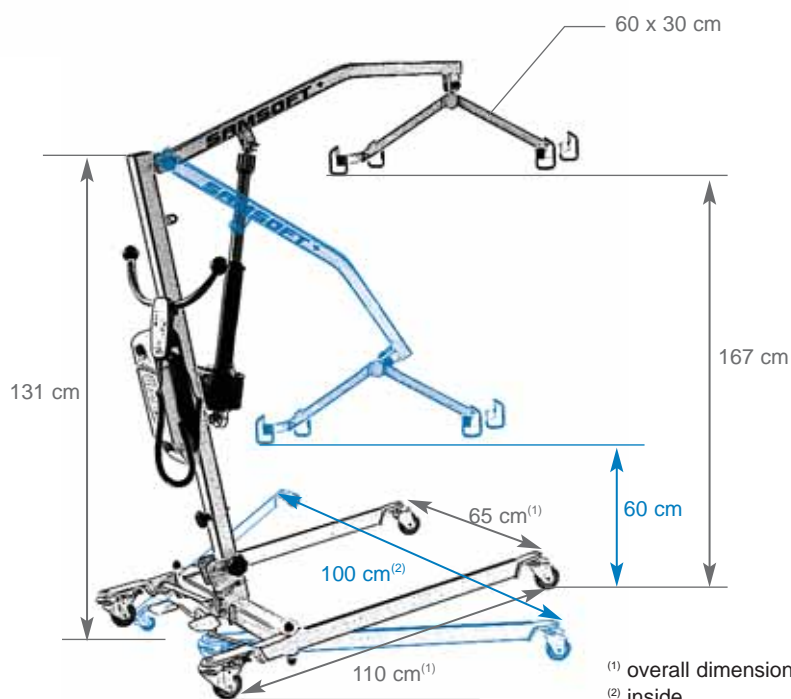


Beam equipped with
4 backstop fasteners
for sling

Manual
emergency
down

Large stability and perfect manoeuvrability,
thanks to the adjustable spacing of the
base and to the caster quality

11.5 cm ground clearance allowing to pass under all the beds in
the market



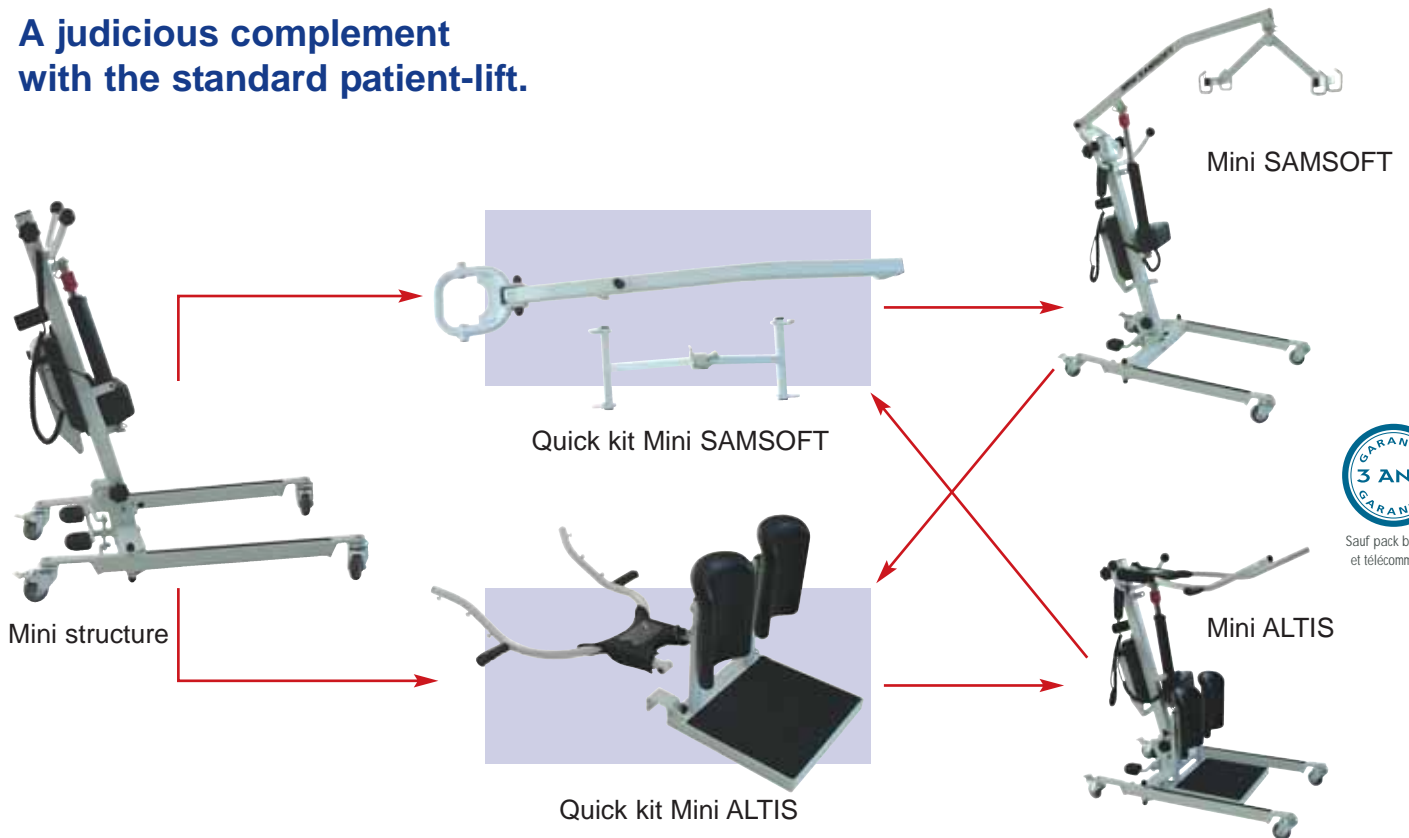
⁽¹⁾ overall dimensions
⁽²⁾ inside

Folding without any tool. Since all the components are locked in folded position, the equipment is compact, and can be easily carried.

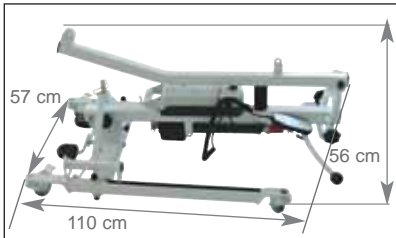
DUPONT MEDICAL innovates with the convertible Mini structure

into Mini Samssoft or into Mini Altis

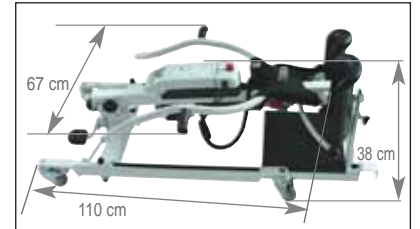
A judicious complement with the standard patient-lift.



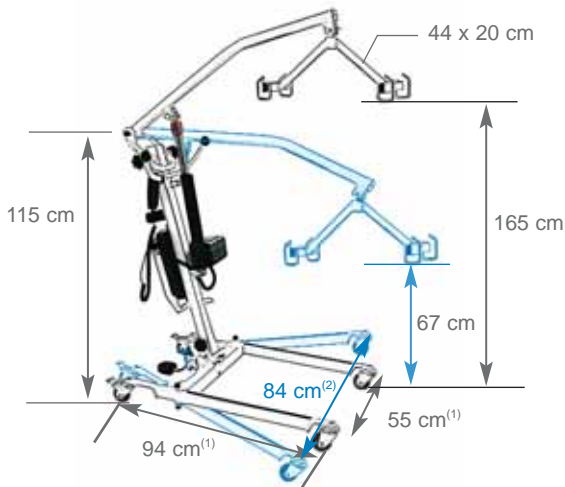
Mini Samssoft folded



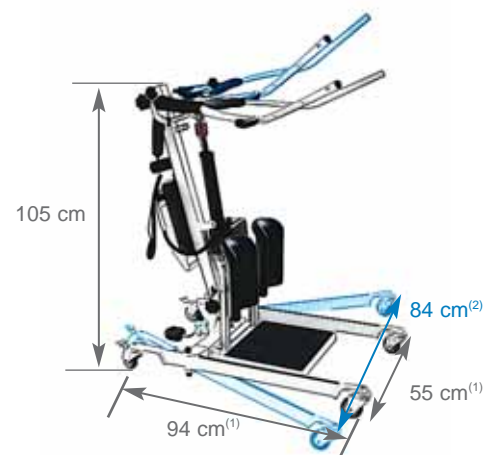
Mini Altis folded



Change function very rapidly thanks to the quick kits and fold them as quickly!



Thanks to the double articulation of mini Samssoft, the lift height is similar to a standard patient lift and the gravity centre position of the device ensures stability (the beam does not exceed the base area)



Large compactness of the base, folded or unfolded

⁽¹⁾ Overall
⁽²⁾ Inside

ALTIS +

*Valuable and securing help for care networks.
To reach standing posture without any effort or risk!*



3-YEAR WARRANTY
Except for battery pack
and remote control



Height adjustable and
hinged tibial support

Wide and securing
foot-rest board

3 different attachments for the lifting sling, depending on the patient's size and the desired transfer speed



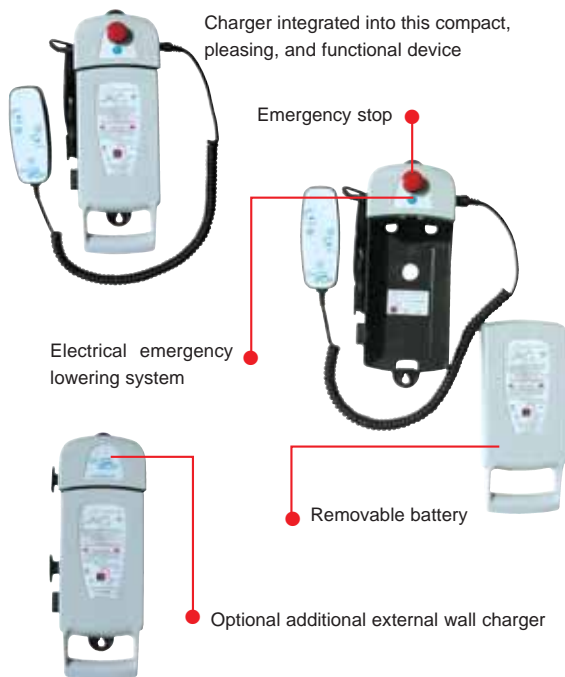
ALTIS+
folded

Folding without any tool.
Easy transport

High stability and perfect
manoeuvrability, thanks to the
adjustable spacing of the base
and to the caster quality

11.5 cm ground clearance allowing
to pass under all the beds in the market

A POWER / CYLINDER DEVICE COMMON TO THE 4 PATIENT LIFTS



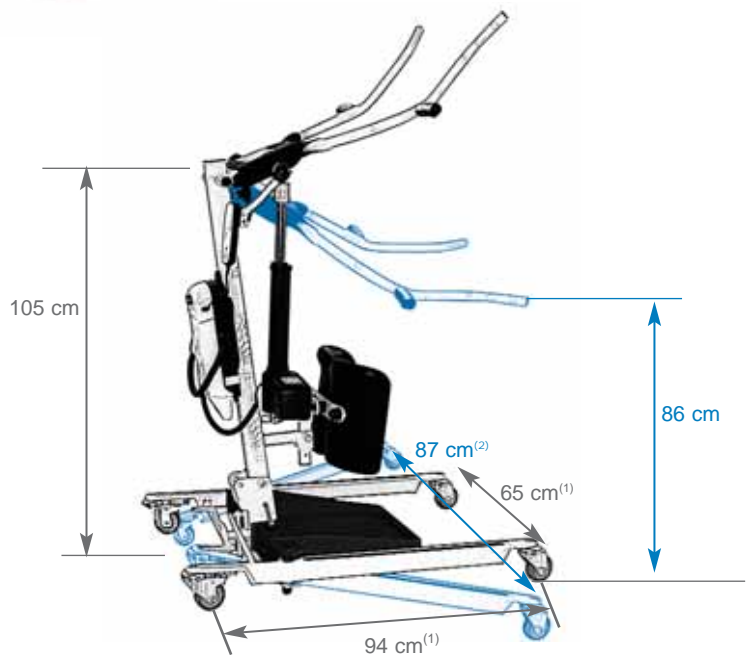
Charger integrated into this compact,
pleasing, and functional device

Emergency stop

Electrical emergency
lowering system

Removable battery

Optional additional external wall charger



105 cm

86 cm

87 cm⁽²⁾

65 cm⁽¹⁾










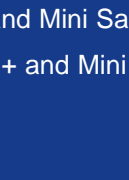
94 cm⁽¹⁾

⁽¹⁾ overall
⁽²⁾ inside



Range of available options and slings

SLINGS

Désignation	Size	Description	Reference	Destination
Toileting sling	Medium		SA 6390100	Samsoft +, Mini Samsoft, Samlight
Toileting sling	Large		SA 6390110	Samsoft +, Mini Samsoft, Samlight
PVC	Medium		SA 6390200	Samsoft +, Mini Samsoft, Samlight
PVC	Large		SA 6390210	Samsoft +, Mini Samsoft, Samlight
Anatomical comfort	Medium		SR 3402000	Samsoft +, Mini Samsoft, Samlight
Anatomical comfort	Large		SR 3403000	Samsoft +, Mini Samsoft, Samlight Or other 4-point beam patient-lifts
Integral comfort	Medium		SR 3502000	Samsoft +, Mini Samsoft, Samlight
Integral comfort	Large		SR 3503000	Samsoft +, Mini Samsoft, Samlight Or other 4-point beam patient-lifts
Hammock sling (bath)	One size		SA 6390500	Samsoft +, Mini Samsoft, Samlight Or other 4-point beam patient-lifts
Toilet hammock sling	One size		SA 6390600	Samsoft +, Mini Samsoft, Samlight Or other 4-point beam patient-lifts
Lumbar sling	Medium		SA 6420000	Altis +, Mini Altis
Lumbar sling	Large		SR 4001110	Altis +, Mini Altis

For more details, refer to the documentation specific to slings

KIT

Kit Mini SAMSOFT



SA 6350500

Kit Mini ALTIS



SA 6450500

WEIGHING SYSTEMS

Medical class III weighing system for Samsoft + and Mini Samsoft

Medical no-class III weighing system for Samsoft + and Mini Samsoft

Please, ask us.

Range of patient lifts

TECHNICAL DATA

ALTIS + (réf. SA 641 0000)

Lifting capacity :	150 kg
Handle width :	69 cm
Frame height :	105 cm
Frame width (overall):	65 cm
Frame length (overall):	91cm
Ground clearance :	11.5 cm
Inside spacing of the footing:	65 to 87 cm
Folded height :	39 cm
Folded length :	112 cm
8000 N cylinder:	crash-resistant and releasable / equipped with a manual emergency down ring
Power box:	24 volts / emergency stop
1 function remote control:	up / down
Autonomy (up / down): (with a 100kg load)	40 cycles
Structure :	steel
Coating:	grey epoxy
2 front wheels :	Ø 75 mm
2 rear wheels equipped with brakes :	Ø 75 mm
Net weight of the device :	43.50 kg
Gross weight of the device :	48 kg
Tibial support:	hinged and flexible height adjustment
Standards:	NF-EN-ISO 10535 - IP 55
Marking	CE

SAMSOF + (réf. SA 632 0000)

Lifting capacity :	150 kg
Frame width (overall):	65 cm
Frame length (overall):	110 cm
Maximum height :	173 cm
Minimum height :	58 cm
Ground clearance :	11.5 cm
Inside spacing of the footing:	65 to 100 cm
Folded height:	40 cm
Folded length:	132 cm
8000 N cylinder:	crash-resistant and releasable / equipped with a manual emergency down ring
Power box:	24 volts / emergency stop
1 function remote control:	up / down
Autonomy (up / down): (with a 100kg load)	40 cycles
Structure :	steel
Coating:	grey epoxy
2 front wheels:	Ø 75 mm
2 rear wheels equipped with brakes:	Ø 75 mm
Net weight of the device:	41.50 kg
Gross weight of the device:	45.50 kg
Standards:	NF-EN-ISO 10535 - IP 55
Marking	CE

Mini ALTIS (réf. SA 645 0000)

Lifting capacity :	150 kg
Handle width :	50 cm
Frame height :	105 cm
Frame width (overall):	55 cm
Frame length (overall):	91cm
Ground clearance :	11.5 cm
Inside spacing of the footing :	55 to 84 cm
Folded height :	60 cm
Folded length :	91 cm
8000 N cylinder:	crash-resistant and releasable / equipped with a manual emergency down ring
Power box:	24 volts / emergency stop
1 function remote control:	up / down
Autonomy (up / down): (with a 100kg load)	40 cycles
Structure:	steel
Coating:	grey epoxy
2 front wheels:	Ø 75 mm
2 rear wheels equipped with brakes:	Ø 75 mm
Weight of the device:	43 kg
Tibial support:	height adjustment
Standards:	NF-EN-ISO 10535 - IP 55
Marking	CE

Mini SAMSOF (réf. SA 635 0000)

Lifting capacity	150 kg
Frame width (overall):	55 cm
Frame length (overall):	91 cm
Height :	67 to 165 cm
Ground clearance:	11.5 cm
Inside spacing of the footing :	55 to 84 cm
Folded height :	56 cm
Folded length :	91 cm
8000 N cylinder:	crash-resistant and releasable / equipped with a manual emergency down ring
Power box:	24 volts / emergency stop
1 function remote control:	up / down
Autonomy (up / down): (with a 100kg load)	40 cycles
Structure:	steel
Coating:	grey epoxy
2 front wheels:	Ø 75 mm
2 rear wheels equipped with brakes:	Ø 75 mm
Weight of the device:	40 kg
Standards :	NF-EN-ISO 10535 - IP 55
Marking	CE

All the pictures are not contractual and DUPONT MEDICAL is entitled to modify some of the elements for manufacturing or improvement purposes.

Distribué par :

DUPONT MEDICAL

BP 19 - ZAC Ban la Dame - 92, rue du train à fil

54390 FROUARD - France

Tel. +33 (0)3 83 495 495 - Fax +33 (0)3 83 495 496

<http://www.dupont-medical.com>

SAMERY
www.dupont-medical.com