



DUPONT

Domya

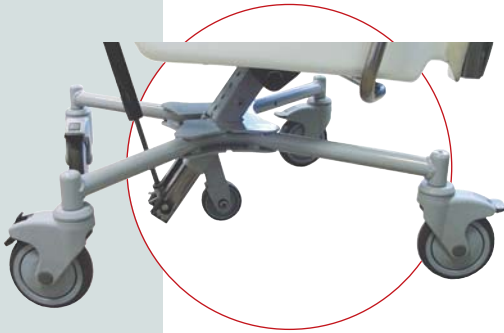
Multi-adaptable
shell seat



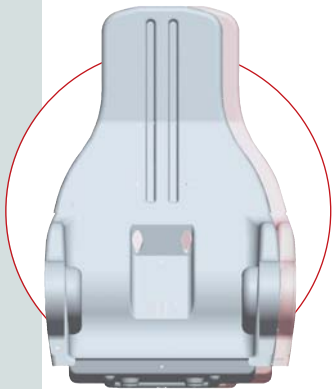
CE

Domya

A great **ADVANTAGE** for adaptability



The **new rolling base**, the shell **design**, and the **original design** of the various legrest versions now enable **any adaptation**.



At least 2 shell sizes, and **32 various seat sizes** are available, and depth and width adjustment are possible at any time.

Special researches were performed for an optimised comfort of the trims (shapes, density, etc.); the armrests enable very good positioning of the arms and the backrest shape, enabling the relaxed position of the shoulders, prevents the patient from bending.

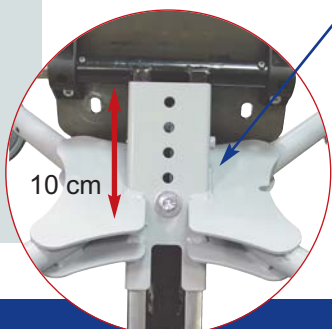


Fixed angle legrest, automatic adjustable angle legrest (follows the shell angle) or **manually adjustable angle legrest** (manual angle adjustment with a cylinder): you will always have the right solution for your patient.

Transferring the user will not be a problem anymore thanks to the **trendelenburg association of the shell/footrest plate near the floor/legrest retraction** under the seat.



Seat and height-adjustment pole assembly adjustable on wheelbase.



Floor/seat height easily adjustable for easier transfer and passing under tables (the minimum distance between the floor and the top part of the armrests can be 64 cm).

Particularly easy functions and adjustments, adapted to many morphologies

(see measure sheet).

Shell angle:

Trendelenburg/inclined with manual release on the push-handle. Foot control available optionally, only on a 5-arm foot.

In option :

- Command with the foot for gas spring
- **Electric slope by remote control.**



Square seat and depth-adjustable through moving forward and backward the seat plate. Viscoelastic foam cushion and DARTEX upholstery in option, and to replace the standard cushion. The interior armrest cushions can be removed and replaced by different thickness padding, So the seat can be adjusted according to the user morphology changing.

Possibility to horizontally place the plate through a quick system.



Actuator of electric slope



Shelf (optionally) retractable on the side, clipped, and equipped with a cup-holder and a pillbox on each side. It remains horizontal when the shell is tilting; it is depth-adjustable, and very easily removable (quick system).

Other available options:

- Wing headrest (1)
- Shelf
- Viscoelastic foam seating cushion
- Chest-support (2)
- Cane-holder
- Serum-holder with support
- Side storage pocket



Centrally-controlled breaking

Domya BR: Rolling base with centrally controlled breaking and equipped with 12.5" rear wheels, and 6" front wheels. Height is adjusted on the seat-fastening pole, both on the rolling base and on the 5-arm foot.



ST version

Presented with optional shelf and automatic legrest

- 5-arm foot with casters (4 125-mm casters with brakes, and 1 75-mm central caster)
- Floor/seat plate height **adjustable from 37 to 45 cm** (+ 8 cm thick cushion)
- Automatic fixed legrest or independent tilt legrest in option
- -4° trendelenburg up to +25° inclined shell tilting, through serial manual or foot release in option.

BR version



- 12.5" rear tire wheels, associated to 6" front tire wheels
- Floor/seat plate height **adjustable from 37 to 45 cm** (+ 8 cm thick cushion)
- Serial fixed legrest or independent tilt legrest in option
- -4° trendelenburg up to +25° inclined shell tilting, through manual release.
- Centrally-controlled foot break

The various sizes are obtained from 2 different shells adjustable on both bases ST and BR

A : Seat width of 36, 39, 42, or 45 cm for depth of 40, 42, 44, or 46 cm.
Any combinations are possible with 60 cm overall width on BR version, and 61 cm on ST version.

B : Seat width of 42, 45, 48, or 51 cm for depth of 43, 45, 47, or 49 cm.
Any combinations are possible with 66 cm overall width on both versions.

UPHOLSTERIES and COLOURS

Standard :



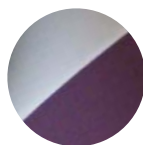
Océan

(PVC blue,
Inside : DARTEX
grey upholstery)

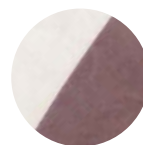


Chocolat PV

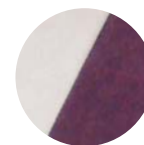
Mesh cotton with filler satiny PVC



Plum PV



Chocolat MI



Plum MI

Microfiber fabric type getting well-being and comfort. This finishing is associated with a different design of castors (on ST version only)

TECHNICAL FEATURES

- | | |
|--|---------|
| - Restraint system: | serial |
| - Standard seating cushion thickness, and viscoelastic foam seating cushion thickness: | 7 cm |
| - Maximum permissible user weight: | 140 kg |
| - Warranty: | 2 years |

All the photographs are not contractual, and some components may change for manufacturing or improving purposes.

DUPONT MEDICAL

BP 19 - ZAC de Ban la Dame - 92 rue du train à fil
54390 FROUARD (France)
Tel. +33 (0)3 83 495 495 - Fax. +33 (0)3 83 495 496
<http://www.dupont-medical.com>

MOBILY[®]
A trademark of DUPONT MEDICAL